

LF24-SR(-S) US

Proportional, Spring Return, 24 V for 2 to 10 VDC or 4 to 20 mA Control Signal



Technical Data		LF24-SR(-S) US
Power supply		24 VAC \pm 20% 50/60 Hz 24 VDC \pm 10%
Power consumption	running	2.5 W
	holding	1 W
Transformer sizing		5 VA (class 2 power source)
Electrical connection		
	LF24-SR US	3 ft, plenum rated cable 1/2" conduit connector
	LF24-SR-S US	3 ft, 18 GA appliance cables (2) 1/2" conduit connectors
Overload protection		electronic throughout 0 to 95° rotation
Input impedance		100 k Ω (0.1 mA), 500 Ω
Angle of rotation		max. 95°, adjust. with mechanical stop
Torque		35 in-lb [4 Nm]
Direction of rotation		
	spring	reversible with cw/ccw mounting
	motor	reversible with built-in switch
Position indication		visual indicator, 0° to 95° (0° is spring return position)
Running time (nominal)	motor	150 sec constant, independent of load
	spring	< 25 sec @ -4°F to 122°F [-20°C to 50°C] < 60 sec @ -22°F [-30°C]
Humidity		5 to 95% RH non-condensing
Ambient temperature		-22°F to 122°F [-30°C to 50°C]
Storage temperature		-40°F to 176°F [-40°C to 80°C]
Housing		NEMA type 2 /IP54
Housing material		zinc coated metal
Agency listings		cULus acc. to UL 873 and CAN/CSA C22.2 No. 24-93
Noise level (max)	running	< 30 db (A)
	spring return	62 db (A)
Servicing		maintenance free
Quality standard		ISO 9001
Weight	LF24-SR US	3.1 lbs (1.40 kg)
	LF24-SR-S US	3.2 lbs (1.45 kg)
LF24-SR-S US		
Auxiliary switch		1 x SPDT 3A (0.5A) @ 250 VAC, UL Approved adjustable 0° to 95° (double insulated)

Torque min. 35 in-lb, for control of air dampers

Application

For proportional modulation of dampers in HVAC systems. Actuator sizing should be done in accordance with the damper manufacturer's specifications.

The actuator is mounted directly to a damper shaft from 3/8" up to 1/2" in diameter by means of its universal clamp, 1/2" shaft centered at delivery. For shafts up to 3/4" use K6-1 accessory. A crank arm and several mounting brackets are available for applications where the actuator cannot be direct coupled to the damper shaft.

The actuator operates in response to a 2 to 10 VDC, or with the addition of a 500W resistor, a 4 to 20 mA control input from an electronic controller or positioner. A 2 to 10 VDC feedback signal is provided for position indication or master-slave applications.

Operation

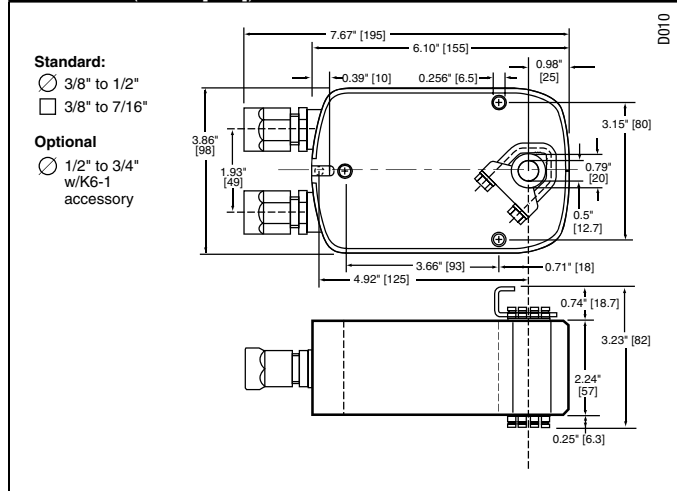
The LF series actuators provide true spring return operation for reliable fail-safe application and positive close-off on air tight dampers. The spring return system provides consistent torque to the damper with, and without, power applied to the actuator.

The LF series provides 95° of rotation and is provided with a graduated position indicator showing 0 to 95°.

The LF24-SR (-S) US uses a brushless DC motor which is controlled by an Application Specific Integrated Circuit (ASIC) and a microprocessor. The microprocessor provides the intelligence to the ASIC to provide a constant rotation rate and to know the actuator's exact fail-safe position. The ASIC monitors and controls the brushless DC motor's rotation and provides a digital rotation sensing function to prevent damage to the actuator in a stall condition. The actuator may be stalled anywhere in its normal rotation without the need of mechanical end switches. Power consumption is reduced in holding mode.

The LF24-SR-S US version is provided with one built-in auxiliary switch. This SPDT switch is provided for safety interfacing or signaling, for example, for fan start-up. The switching function is adjustable between 0° and 95°. The auxiliary switch in the LF24-SR-S US is double insulated so an electrical ground is not necessary.

Dimensions (Inches [mm])



M40024 - 05/10 - Subject to change. © Belimo Aircontrols (USA), Inc.

Accessories

AV 10-18	Shaft extension (K6-1 is required)
IND-LF	Damper position indicator
K6-1	Universal clamp for up to 3/4" diameter shafts
KH-LF	Crank arm for up to 1/2" round shaft
SGA24	Min. and/or man. positioner in NEMA 4 housing
SGF24	Min. and/or man. positioner for flush panel mounting
Tool-06	8mm and 10 mm wrench
ZG-LF2	Crank arm adaptor kit for LF
ZG-112	Mounting bracket for Honeywell Mod IV, M6415 type actuators, and new installations
ZG-LF112	Crank arm adaptor kit for Honeywell Mod IV, M6415 type actuators, and new installations
ZG-R01	500 Ω resistor for 4 to 20 mA control signal
ZS-100	Weather shield (metal)
ZS-150	Weather shield (polycarbonate)
ZS-260	Explosion-proof housing

NOTE: When using LF24-SR(-S) US actuators, only use accessories listed on this page. For actuator wiring information and diagrams, refer to Belimo Wiring Guide.

Typical Specification

Spring return control damper actuators shall be direct coupled type which require no crank arm and linkage and be capable of direct mounting to a shaft up to a 3/4" diameter and center a 1/2" shaft. The actuator must provide proportional damper control in response to a 2 to 10 VDC or, with the addition of a 500 Ω resistor, a 4 to 20 mA control input from an electronic controller or positioner. The actuators must be designed so that they may be used for either clockwise or counterclockwise fail-safe operation. Actuators shall use a brushless DC motor controlled by a microprocessor and be protected from overload at all angles of rotation. Run time shall be constant, and independent of torque. A 2 to 10 VDC feedback signal shall be provided for position feedback or master-slave applications. If required, one SPDT auxiliary switch shall be provided having the capability of being adjustable. Actuators with auxiliary switch must be constructed to meet the requirements for Double Insulation so an electrical ground is not required to meet agency listings. Actuators shall be cULus listed, have a 5 year warranty, and be manufactured under ISO 9001 International Quality Control Standards. Actuators shall be as manufactured by Belimo.

Wiring Diagrams

INSTALLATION NOTES

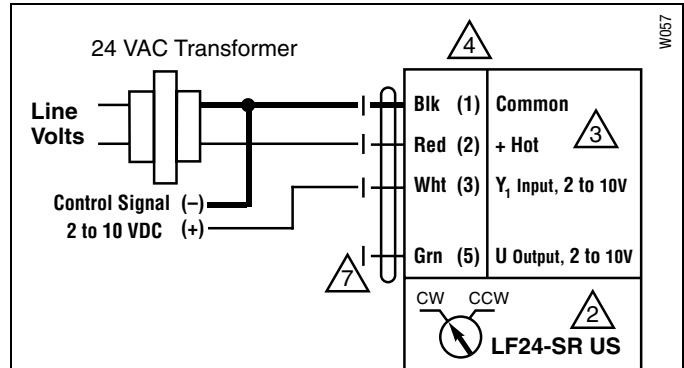
- 1 Provide overload protection and disconnect as required.
- 2 **CAUTION Equipment Damage!** Actuators may be connected in parallel. Power consumption and input impedance must be observed. Up to 4 actuators may be connected in parallel. With 4 actuators wired to one 500 Ω resistor. Power consumption must be observed.
- 3 Actuator may also be powered by 24 VDC.
- 4 Actuators with plenum rated cable do not have numbers on wires; use color codes instead.
- 5 Only connect common to neg. (-) leg of control circuits
- 6 For end position indication, interlock control, fan startup, etc., LF24-SR-S US incorporates one built-in auxiliary switch: 1 x SPDT, 3A (0.5A) @250 VAC, UL Approved, adjustable 0° to 95°.
- 7 The LF24-SR-S US wire 5 is white.

APPLICATION NOTES

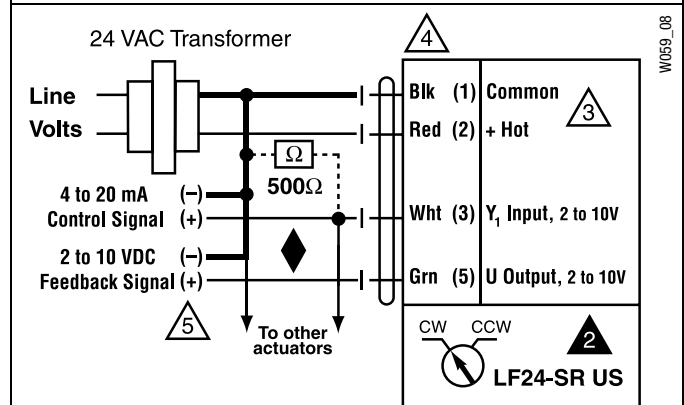
- ◆ Meets cULus requirements without the need of an electrical ground connection.
- ◆ The ZG-R01 500 Ω resistor converts the 4 to 20 mA control signal to 2 to 10 VDC.

WARNING Live Electrical Components!

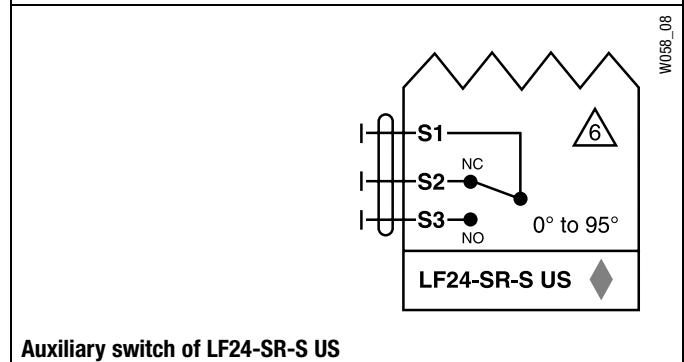
During installation, testing, servicing and troubleshooting of this product, it may be necessary to work with live electrical components. Have a qualified licensed electrician or other individual who has been properly trained in handling live electrical components perform these tasks. Failure to follow all electrical safety precautions when exposed to live electrical components could result in death or serious injury.



2 to 10 VDC control of LF24-SR(-S) US



4 to 20 mA control of LF24-SR(-S) US with 2 to 10 VDC feedback output



Auxiliary switch of LF24-SR-S US